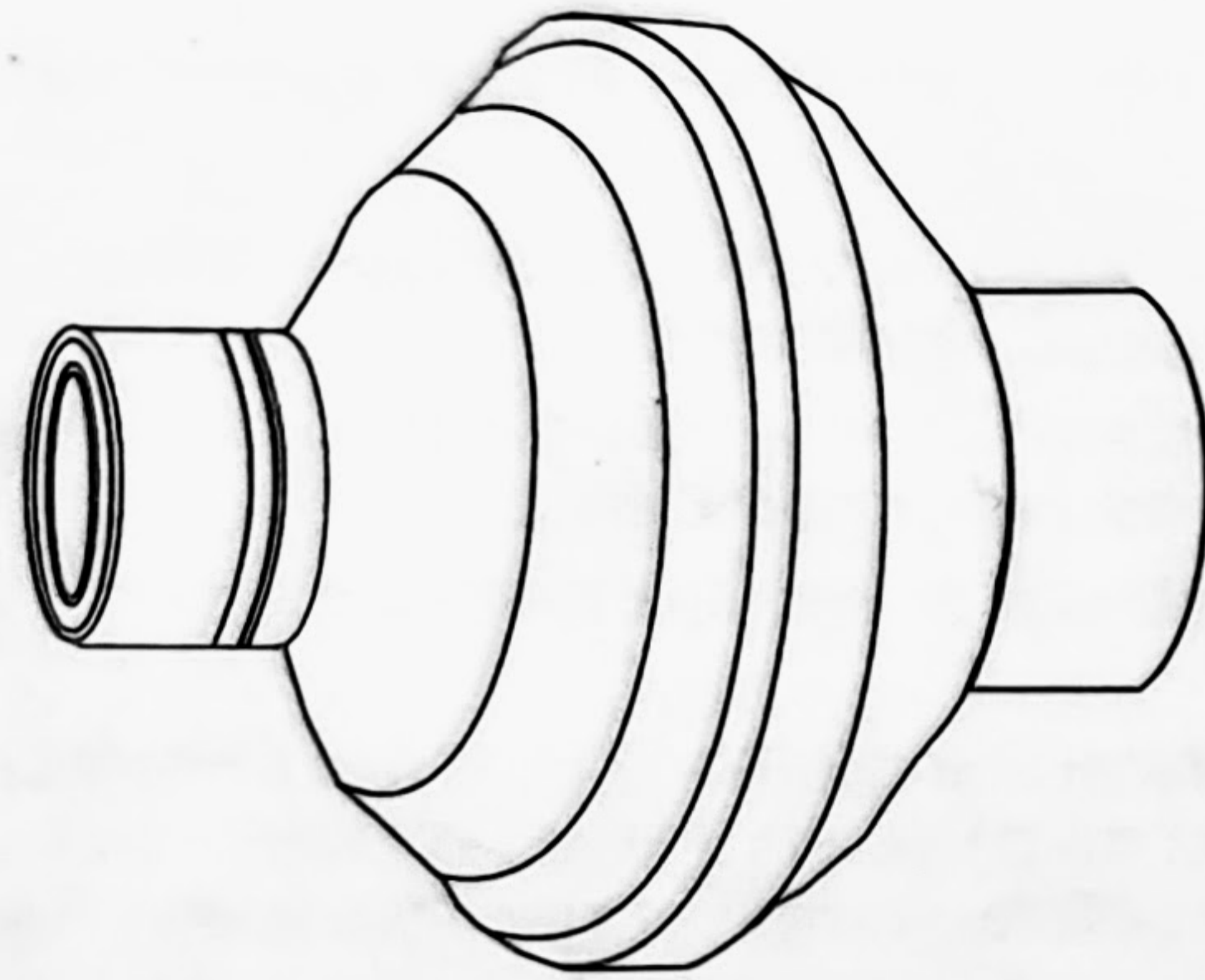


RESPIRONICS

Bacteria Filter

ENGLISH



REF 1014047	Bacteria Filter	Qty = 1
	Filtre antibactérien	Qté = 1
	Filtro antibatterico	Q.tà = 1
	Bakterienfilter	Anz. = 1
	Filtro antibacteriano	Cantidad = 1
	Filtro bacteriano	Qtd = 1
	Filtro bacteriológico	Qtde = 1
REF 342077	Αντιβακτηριακό φίλτρο	Ποσότητα = 10
	Bakteriefilter	Antal = 10
	Bacteria Filter	Qty = 10
	Filtre antibactérien	Qté = 10
	Filtro antibatterico	Q.tà = 10
Bakterienfilter	Anz. = 10	
Filtro antibacteriano	Cantidad = 10	
Filtro bacteriano	Qtd = 10	
Filtro bacteriológico	Qtde = 10	
Αντιβακτηριακό φίλτρο	Ποσότητα = 10	
Bakteriefilter	Antal = 10	

Bacteria Filter

Intended Use

A bi-directional viral bacteria filter used as an accessory for CPAP and bi-level devices. This filter is for single use only.

⚠ Caution: U.S. federal law restricts this device to sale by or on the order of a physician.

⊘ Note: This filter is not made with natural rubber latex or DEHP.

⚠ Warnings:

- Monitor ventilator pressures and replace the blocked filter when pressures no longer meet the desired setting.
- Use duration when used on the inspiratory limb versus the expiratory limb may vary greatly.
- When used on expiratory limb, clogged filter may result in increased expiratory resistance.
- This filter is for single use only and is not intended to be disinfected or cleaned after patient use. Dispose of the filter after patient use. Multi-patient use without disinfection between patients increases the risk of infection.
- This filter is not designed for reuse. Respironics cannot guarantee the performance specifications once this filter has been disinfected or cleaned after patient use.
- Inspect for damage or wear. Discard and replace any components as necessary.

Use Information

The duration of filter use will vary by patient and usage. Monitor for blockage by secretions or other particulate and replace as necessary. The filter usage duration will typically be longer when filtering fresh, dry gas on the inspiratory limb of the circuit than when it is used on the expiratory limb of the circuit due to blockages caused by secretions.

Specifications

Dead Space	66 ml
Bacterial/Viral Filter Efficiency	>99.99%
Resistance (@ 0.5 L/s)	0.7 cm H ₂ O (hPa)/L/s
Male Connector	15 mm I.D./22 mm O.D.
Female Connector	22 mm I.D.

Symbols



Warning or Caution



Note



Do Not Reuse